



FLOWPAK

PUMP INDUSTRIES (PVT) LTD.

CENTRIFUGAL PUMP



Applications

- Public water supply schemes.
- Fire fighting purpose
- Industrial applications.
- De-watering of mines & construction sites.
- Swimming pool
- Spray irrigation
- Drinking water
- Agricultural irrigation.

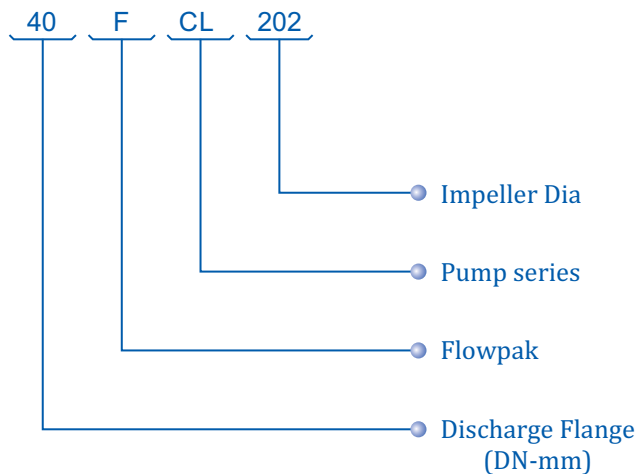
Pumping Liquid

Clean, thin, non-aggressive, non-explosive, clear, cold and fresh water without abrasives, solid particles or fiber.

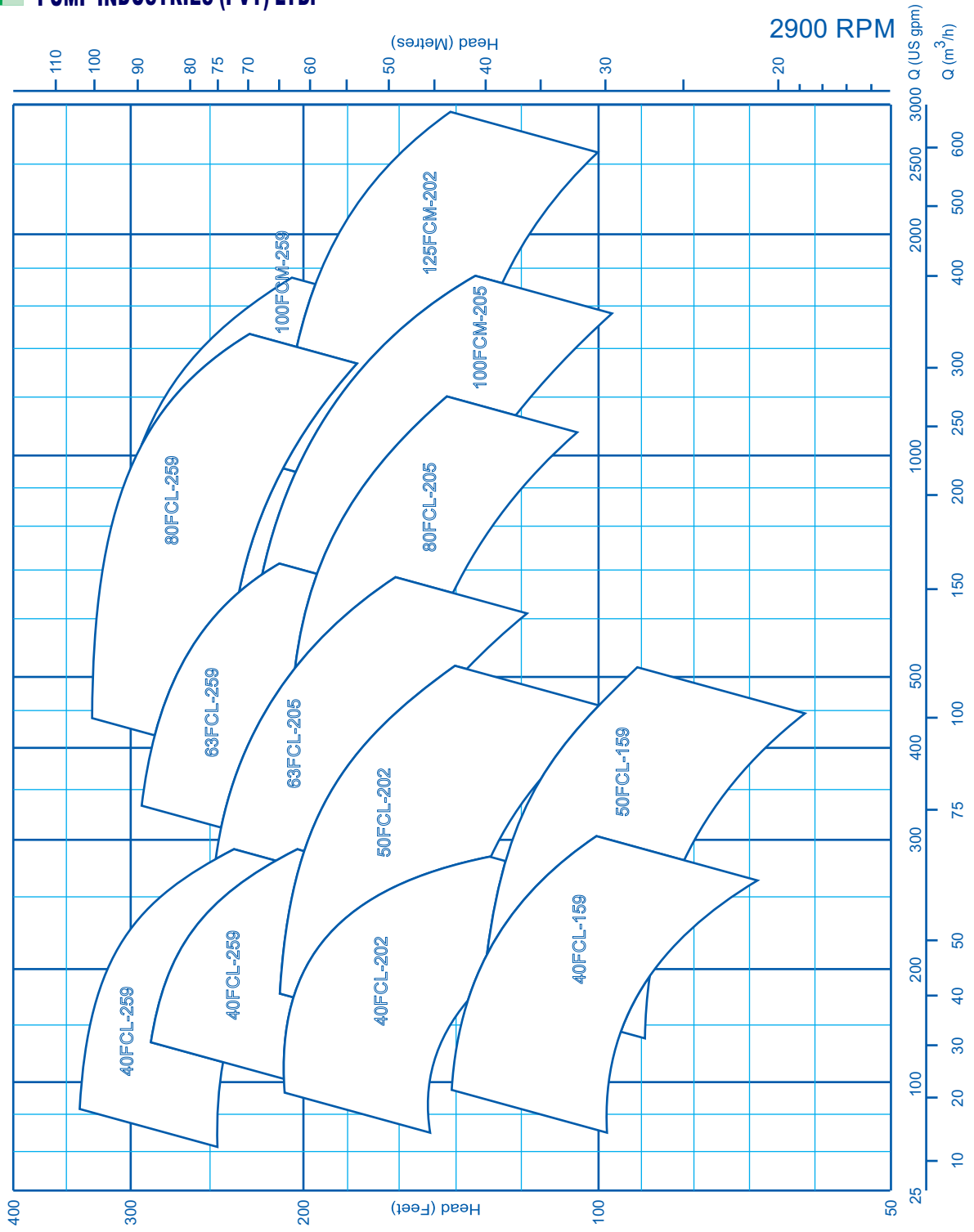
Operating Data

- | | | |
|--------------|-------|---------------------|
| ● Capacity | up to | 8000 U. S. gpm |
| ● Total Head | up to | 330 Feet |
| ● Speed | up to | 2900 RPM |
| ● Temp. | up to | 135°c |
| ● Voltage | | 380-415 (+6%/- 10%) |

Model Identification Code



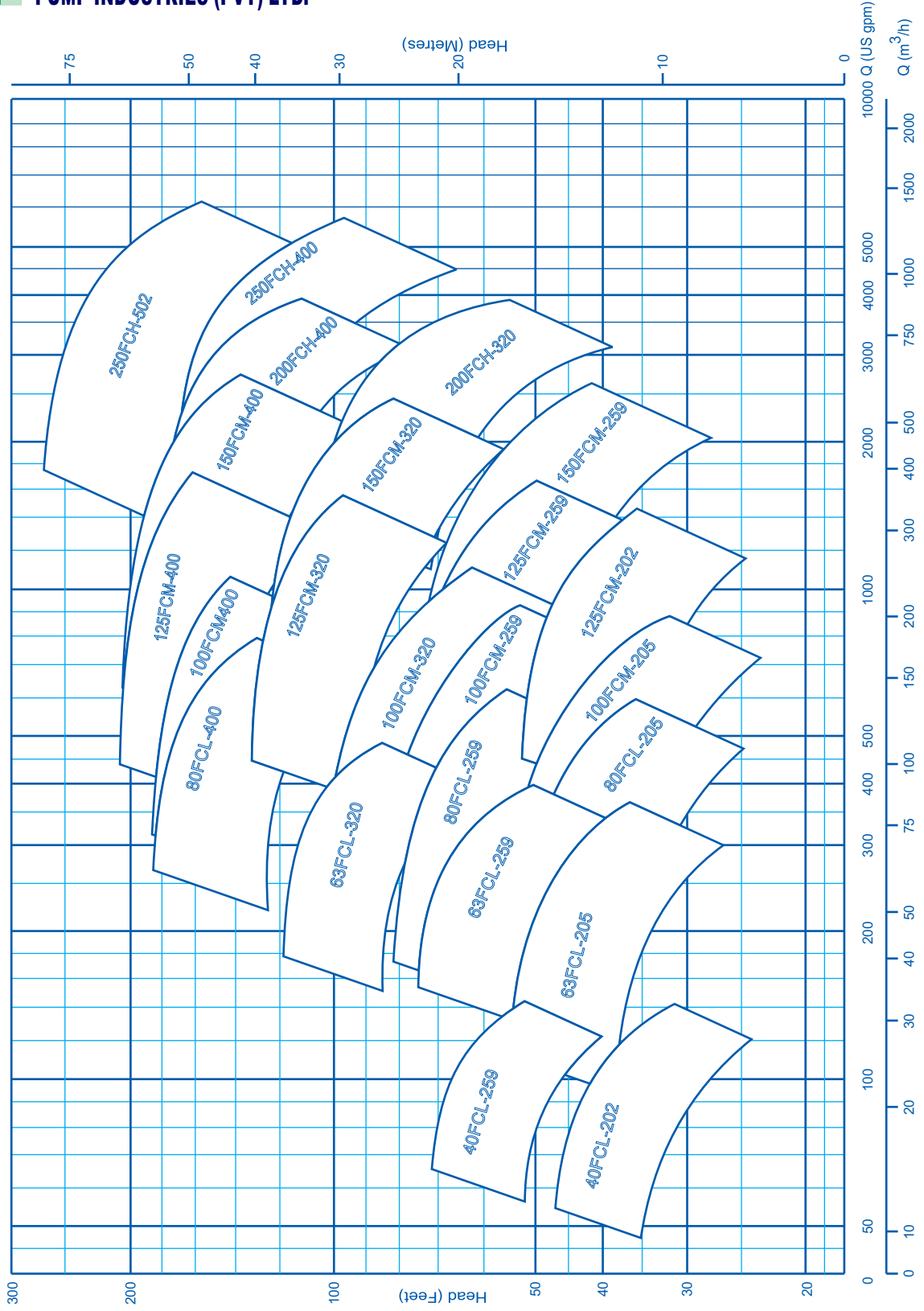
PERFORMANCE CURVE



2900 RPM

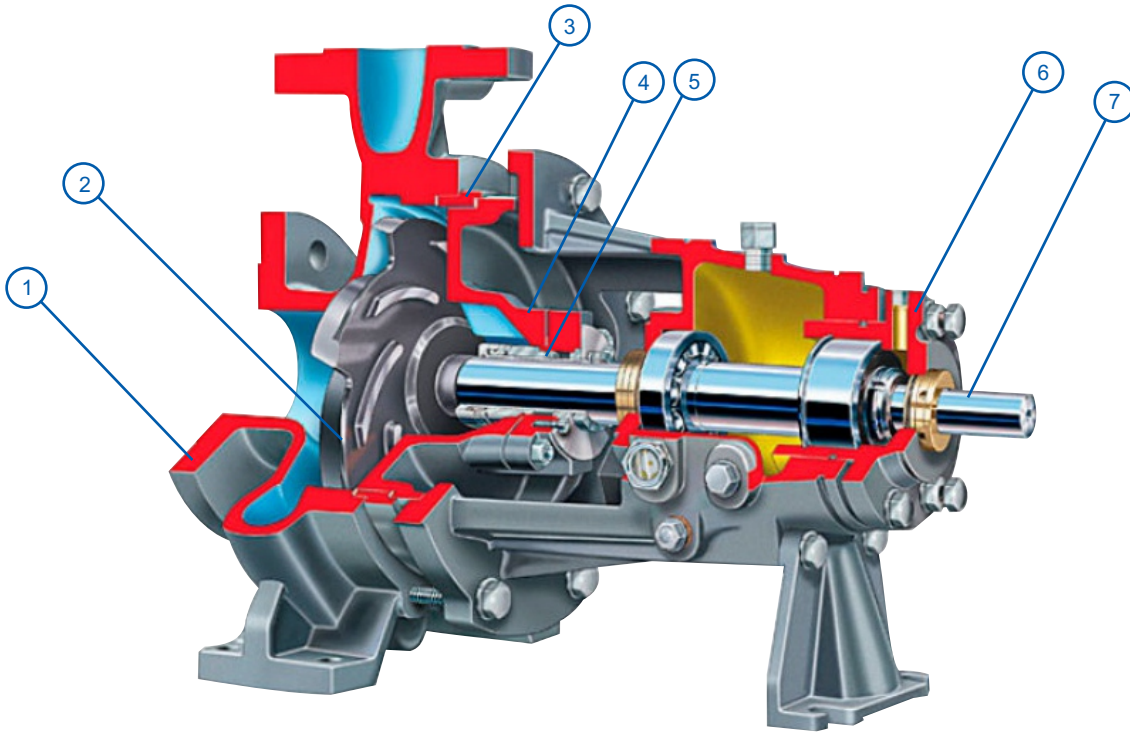
Pump Model	Flow Range (US gpm)	Head/Stage (ft)	Suction/Discharge (In)		Motor (HP) Max.
40FCL-159	88-300	141-102	2	1.5	15
40FCL-202	88-282	210-130	2	1.5	25
40FCL-259	132-290	295-205	2	1.5	30
50FCL-159	176-506	138-92	2.5	2	15
50FCL-202	176-506	213-141	2.5	2	30
63FCL-205	264-682	249-164	3	2.5	40
63FCL-259	330-704	295-217	3	2.5	60
80FCL-205	440-1190	213-144	4	3	60
80FCL-259	440-1233	328-236	4	3	100
100FMC-205	572-1761	230-138	5	4	80
100FMC-259	660-1761	312-207	5	4	125
125FMC-202	880-2908	216-144	8	6	150

PERFORMANCE CURVE



1450 RPM

Pump Model	Flow Range (US gpm)	Head/Stage (ft)	Suction/Discharge (In)		Motor (HP) Max.
40FCL-202	53-141	47-31	2	1.5	2
40FCL-259	66-141	72-52	2	1.5	4
63FCL-205	110-361	54-37	3	2.5	7.5
63FCL-259	154-396	73-50	3	2.5	7.5
63FCL-320	176-484	118-85	3	2.5	15
80FCL-205	176-594	52-36	4	3	7.5
80FCL-259	176-616	82-55	4	3	15
80FCL-320	364-792	131-98	4	3	30
80FCL-400	264-792	183-131	4	3	40
100FCM-205	308-880	52-32	5	4	10
100FCM-259	308-925	82-52	5	4	20
100FCM-320	315-1100	105-62	5	4	40
100FCM-400	308-1057	183-141	5	4	60
125FCM-202	440-1452	52-36	6	5	15
125FCM-259	440-1629	78-49	6	5	25
125FCM-320	440-1541	131-98	6	5	50
125FCM-400	440-1717	203-164	6	5	100
150FCM-259	616-2642	75-42	8	6	40
150FCM-320	616-2464	124-82	8	6	60
150FCM-400	616-2730	203-137	8	6	125
200FCH-320	1320-3962	105-55	10	8	80
200FCH-400	1320-3962	177-114	10	8	150
250FCH-400	1761-5724	170-98	12	10	200
250FCH-502	1761-6164	270-158	12	10	400



Sr.	Part	Standard	Engineered
1	Volute Casing	Grey cast iron, GG-25	Bronze, Stainless Steel
2	Impeller	Grey cast iron, GG-25	Bronze, Stainless Steel
3	Wear-ring	Grey cast iron, GG-25	Bronze, Stainless Steel
4	Discharge Cover	Grey cast iron, GG-25	Bronze, Stainless Steel
5	Shaft Sleeve	Stainless Steel	Stainless Steel
6	Bearing Bracket	Grey cast iron, GG-25	Bronze, Stainless Steel
7	Shaft	Carbon Steel	Stainless Steel

FLOWPAK PUMP INDUSTRIES (PVT) LTD.

Head Office:

Suite # 7-8, 1st Floor, Sadiq Plaza, 69-The Mall, Lahore-Pakistan.

Ph : +92 42 36280229-30 **Fax:** +92 42 36280228

E-mail: info@flowpakpumps.com, flowpak@yahoo.com

Web: www.flowpakpumps.com

Regional Offices:

Rawalpindi:

House #24, Atta ul Haq Road,
Westridge 1, Rawalpindi Cantt.

Ph: +92 51 5491343 **Fax:** +92 51 5491342

E-mail: rawalpindi@flowpakpumps.com

Peshawar:

Office # TF-276, Dean Trade Center,
Islamia Road, Peshawar Cantt.

Ph: +92 91 5253229

E-mail: peshawar@flowpakpumps.com

Works:

Plot # 144, Link Bara dari, Jia Musa, Sheikhpura Road,
Shahdara, Lahore-Pakistan.

Ph : +92 42 37914321, 37928802, **Fax:** +92 42 37914320

E-mail: works@flowpakpumps.com

Multan:

Suit # 11, Khilji Arcade Near Cantt. Railway Station,
Railway Road, Multan Cantt.

Ph: +92 61 4516100

E-mail: multan@flowpakpumps.com